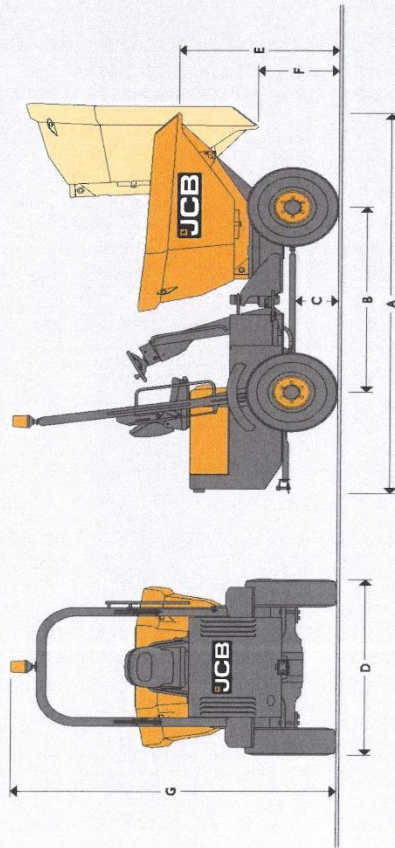


JCB 1THT/3TFT

SPECIFICATION | 1THT/2TFT/2TST/2TTHS/3TFT/3TST/3.5TST/6TFT/6TST/9TFT/10TFT

STATIC DIMENSIONS AND CAPACITIES



	1THT	2TFT	2TST	2THS	3TFT	3TST	3TFT	3TST	3.5TST	6TFT	6TST	9TFT	10TFT	
A Overall length	mm	2980	3570	3550	3725	3952	3725	3952	3952	4405	4539	4489	4530	
B Wheel base	mm	1440	1900	1900	1939	1939	1939	1939	1939	2450	2450	2450	2450	
C Minimum ground clearance	mm	241	184	184	279	279	279	279	385	385	385	385	410	
D Width	mm	998* / 1120	1492	1492	1957	1846	1957	1846	1846	2300	2207	2502	2550	
E Height to front lip of skip (untipped)	mm	1167	1323	1360	1522	1467	1371	1467	1467	1672	1732	1709	1760	
F Height to front lip of skip (tipped)	mm	1620 (raised)	916	983	1142 (lowered) / 1640 (raised)	208	208	762	762	504	1258	560	440	
G Turning radius to outside of skip	mm	2295	3680	3680	3680	4711	4711	4553	4553	5863	5776	5994	6011	
Steering angle		+/- 45°	+/- 30.6°	+/- 30.6°	+/- 30°	+/- 30°	+/- 30°	+/- 30°	+/- 30°	+/- 30°	+/- 30°	+/- 30°	+/- 30°	
Oscillation		+/- 14°	+/- 10.5°	+/- 10.5°	+/- 10.5°	+/- 10.5°	+/- 10.5°	+/- 10.5°	+/- 10.5°	+/- 10°	+/- 10°	+/- 10°	+/- 10°	
G Height to top of ROPS (raised with beacon)	mm	2832	2970	2970	2920	2920	2920	2920	3203	3203	3203	3203	3738	
*When fitted with narrow tyres														
CAPACITIES														
Payload	kg	1000	2000	2000	2000	3000	3000	3000	3500	6000	6000	9000	10000	
Unladen weight	kg	1350	N/A	N/A	2320	2330	2320	2340	2340	4275	4480	4970	N/A	
Tipping type		Front tip - High tip	Swivel tip	Swivel tip - High tip	Swivel tip	Swivel tip	Front tip	Swivel tip	Swivel tip	Front tip	Swivel tip	Front tip	Front tip	
Skip capacity (water)	litres	320	750	750	750	1000	1250	1000	1000	1950	1850	2064	2446	
Skip capacity (struck)	litres	450	1000	1000	1000	1520	1600	1520	1520	2750	2740	3899	4128	
Skip capacity (heaped)	litres	540	1200	1200	1200	1880	1950	1880	1880	3760	3520	4587	5046	
*When fitted with narrow tyres														
ENGINE														
Type		1THT	2TFT	2TST	2THS	3TFT	3TST	3TFT	3TST	3.5TST	6TFT	6TST	9TFT	10TFT
Engine model		Kubota D90S	Kubota D1703M	Kubota D1703M	Kubota V2203M	Kubota V2203M	Kubota V2203M	Kubota V2203M	Kubota V2203M	JCB EcoMAX	JCB EcoMAX	JCB EcoMAX	JCB EcoMAX	JCB EcoMAX
Capacity	cc	898	1647	1647	2197	2197	2197	2197	2197	4400	4400	4400	4400	4400
Aspiration		Naturally Aspirated	Naturally Aspirated	Naturally Aspirated	Naturally Aspirated	Naturally Aspirated	Naturally Aspirated	Naturally Aspirated	Naturally Aspirated	Turbocharged	Turbocharged	Turbocharged	Turbocharged	Turbocharged
Cylinders		3	3	3	4	4	4	4	4	4	4	4	4	4
Max gross power to SAE J1995/ISO 14396	kW (hp)	15.5 (20.8)	24.5 (32.6)	24.5 (32.6)	32.4 (43.5)	32.4 (43.5)	32.4 (43.5)	32.4 (43.5)	32.4 (43.5)	55 (74)	55 (74)	55 (74)	55 (74)	55 (74)
Max torque	Nm	56	105	105	147	147	147	147	147	400	400	400	400	400
Emissions compliance		EU Stage 3A	EU Stage 3A	EU Stage 3A	EU Stage 3A	EU Stage 3A	EU Stage 3A	EU Stage 3A	EU Stage 3A	EU Stage 3B / Tier 4 Final	EU Stage 3B / Tier 4 Final	EU Stage 3B / Tier 4 Final	EU Stage 3B / Tier 4 Final	EU Stage 3B / Tier 4 Final

TRANSMISSION		1TFT	2TFT	2TST	2THS	3TFT	3TST	3TST	3.5TST	6TFT	6TST	9TFT	10TFT
Type (standard)	Hydrostatic pump to 4 hydraulic wheel motors		Hydrostatic motor via transfer box to front and rear axles			Manual gearbox via transfer box to front and rear axles			Hydrostatic motor via transfer box to front and rear axles	Powershuttle	Powershuttle	Powershuttle	Powershift
Type (option)	-		-			-			-	-		Powershift	-
Tyre size	255/75 x 15.2 x 8 ply (option 7.0 x 12 narrow tyre)		10.0/75 x 15.3 (10 ply)			295/80 x 15.3 (10 ply)			295/80 x 15.3 (10 ply)	405-70-20 14PR		500-60-22.5 16PR	
Drive	Hydrostatic / 1		2 / 2 (high and low range – forward and reverse) Hydrostatic – permanent 4WD			Manual – 3 Forward / 1 Reverse			2 / 2 (high and low range – forward and reverse) Hydrostatic – permanent 4WD	4 / 4 Forward and reverse – permanent 4WD			
Max travel speed (unladen)	7 (11)		10 (16)			11.8 (19)			11.8 (19)	16.3 (26.2)		14.66 (23.59)	
Gradeability (maximum slope gradient)	20% (1 in 5)		19.5% (1 in 5)						25% (1 in 4)			20% (1 in 5)	

ELECTRICAL SYSTEM

	1TFT	2TFT	2TST	2THS	3TFT	3TST	3TST	3.5TST	6TFT	6TST	9TFT	10TFT
System voltage	12V											
Alternator output	30A											
Battery capacity	74Ah											

SERVICE FILL CAPACITIES

	1TFT	2TFT	2TST	2THS	3TFT	3TST	3TST	3.5TST	6TFT	6TST	9TFT	10TFT
Hydraulic tank	25	25	25		37	37		37	50	50	50	50
Fuel tank	35	23	23		37	37		37	65	65	65	65

HYDRAULICS

	1TFT	2TFT	2TST	2THS	3TFT	3TST	3TST	3.5TST	6TFT	6TST	9TFT	10TFT
Pump 1 max. flow	29	21	21		30	30		30	61.2	61.2	61.2	61.2
Pump 1 max. pressure	152	210	210		172	172		172	172	172	172	210
Steering system	Orbitrol hydrostatic steering unit powering central hydraulic steering ram											

STEERING

	1TFT	2TFT	2TST	2THS	3TFT	3TST	3TST	3.5TST	6TFT	6TST	9TFT	10TFT
Working brake	Hydrostatic dynamic braking on rear wheel motors											
Parking brake	Hydrostatic dynamic braking on rear wheel motors											

ENVIRONMENTAL

	1TFT	2TFT	2TST	2THS	3TFT	3TST	3TST	3.5TST	6TFT	6TST	9TFT	10TFT
Noise emission (to ISO 4871) - Sound pressure (LpAd)	83db				84db	84db		84db	81db	81db	81db	81db
Sound power level (LWA)	101db				101db	101db		101db	101db	101db	101db	101db
Noise compliance	Noise – equipment used outdoors directive 2000/14/EC < 2.5m/s ²											
Vibration – hand arm (as defined in EN474-1 all operations)	0.529ms (0.264m/s ² Uncertainty)											
Vibration – whole body (as defined in ISO/TR 25398-Work Cycle)	0.529ms (0.264m/s ² Uncertainty)											

STANDARD EQUIPMENT

Folding ROPS frame, reversing alarm, flashing beacon, hour meter, seat belt (high visibility orange), seat (adjustable fore/aft, operator weight and back angle), heavy-duty articulation lock, towing/recovery (bracket) (1T N/A), leg guard (optional on 1T, 6T, 9T and 10T), CESAR Datatag security (optional on 1T), wide tyres (255/75 x 15.2 8ply) (standard on 1T only), narrow tyres (7.00x12) (optional on 1T), water in fuel monitoring (on 6T, 9T and 10T).

OPTIONAL EQUIPMENT

High visibility safety decals for steps and handrails, rear view mirror, road lights (RTA) including light guards, spare wheel, special paint, fan guard (1T N/A).